

□ **Features :**

- 4 Digits Display For Input Signal:0 ~ 9999
- Output Signals Are Programmable.
- Ultra-thin Dimension , 27mm width.
- Non-Combustible PC Case .DIN Rail or Wall Mounting.
- High Dielectric Strength (AC 2KV/Min , Input / Output / Power)



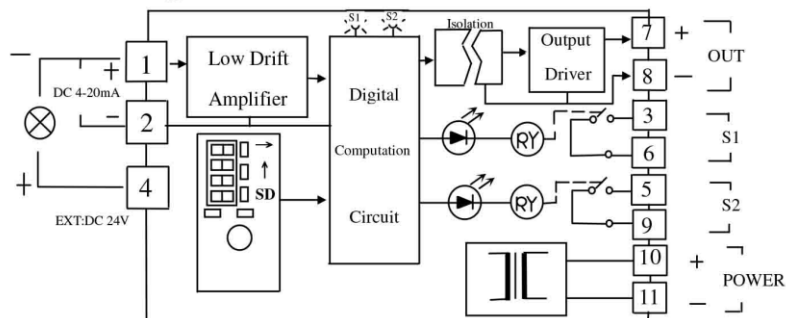
□ **Model :** TAS — □ — □ — □ — □

Input Signal		Alarm Setting		Output Signal		Aux. Power	
A	DC 4~20mA 2Wire EXT DC 22~28V	A	2 Alarm Setting	A	DC 0~10mA	C	DC22~72 V
				B	DC 0~20mA	F	AC /DC 85~265V (AC&DC Share)
				C	DC 4~20mA		
				D	DC 0~5V		
				E	DC 1~5V		
				F	DC 0~10V		
		N	None	N	None	Y	Other
				Y	Other		

□ **Specifications :**

- Accuracy : Input Accuracy ± 0.1%FS , Output Accuracy ± 0.1%RO , Display Accuracy ± 0.1%FS ±1C.
- Display Range : 0.36" Red LED 4-digit 0 ~ 9999 Counts.
- Input Impedance : Voltage Input ≥ 1MΩ , Current Input ≤ 50Ω
- Insulation Resistance : ≥ 100MΩ / DC 500V
- Power Supply : DC 22~28V(without load) , max DC 40mA
- Output Load : Current Output : < 750Ω at 20mA , Voltage Output : 10mA Maximum
- Output Coordination : Digital Coordination
- Dielectric Strength : AC 2KV / I Min , Input / Output / Power , DIN IEC 688.
- Alarm Setting : 2 Sets Alarm Joins. Hi or Lo (selectable)
- Setting Range : 0 ~ 9999 Counts (Programmable).
- Deadband : 0 ~ 9999 Counts (Programmable).
- Delay Time : 0 ~ 99 sec. (Programmable)
- SPDT Capacity : SPST AC 120V 5A , 250V 2.5A, DC 24V 3A PF=1
- Stability : ≤ 0.2%/year
- Response Time : 1sec
- Temperature Coefficient : ≤ 100ppm / °C From 0~60°C
- Operation Condition : -5°C ~ +85°C 20~95% RH Non-Condensed
- Storage Condition : -10°C ~ +105°C 20~95% RH Non-Condensed
- CE : EN 61000-6-4 , EN 61000-6-2 , EN 61000-3-2
- Power Fluctuation Rate : Power Can Stand AC 85~265V or DC 24V ± 10% , Aux. Power Effect : ≤ 0.03% / V
- Case Material : Non-Combustible PC Case. Qualified to UL 94 CLASS V-O
- Mounting : DIN Rail or Wall Mounting.
- Dimension : 27 W x 119 H x 72 L (including base)

□ **Connection Diagram :**



All Specifications are subject to change without prior notice.