

# DC Alarm Setter Transmitter



## □ Features :

- 4 Digits Display For Input Signal:0 ~ 9999
- Output Signals Are Programmable.
- Ultra-thin Dimension , 27mm width.
- Non-Combustible PC Case .DIN Rail or Wall Mounting.
- High Dielectric Strength ( AC 2KV/Min , Input / Output / Power )

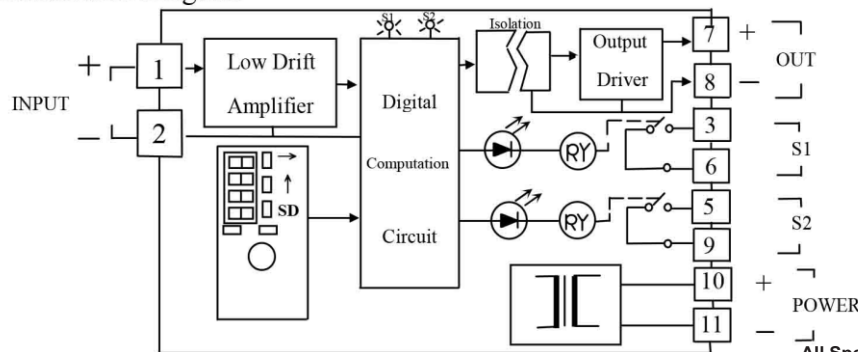
□ Model : TAD — □ — □ — □ — □

Input Signal		Alarm Setting		Output Signal		AUX. Power	
A	DC 0~10mA	A	2 Alarm Setting	A	DC 0~10mA	C	DC 22~72V
B	DC 0~20mA			B	DC 0~20mA	F	AC /DC 85~265V (AC&DC Share)
C	DC 4~20mA			C	DC 4~20mA		
D	DC 0~5V			D	DC 0~5V		
E	DC 1~5V			E	DC 1~5V		
F	DC0~10V	N	None	F	DC 0~10V		
Y	Other			N	None	Y	Other
				Y	Other		

## Specification :

- Accuracy : Input Accuracy  $\pm 0.2\%$ FS , Output Accuracy  $\pm 0.1\%$ RO , Display Accuracy  $\pm 0.2\%$ FS  $\pm 1C$ .
- Display Range : 0.36" Red LED 4-digit 0 ~ 9999 Counts.
- Input Impedance : Voltage Input  $\geq 1M\Omega$  , Current Input  $\leq 50\Omega$
- Output Load : Current Output :  $< 750\Omega$  at 20mA , Voltage Output : 10mA Maximum
- Output Coordination : Digital Coordination
- Dielectric Strength : AC 2KV / 1 Min , Input / Output / Power , DIN IEC 688.
- Input Protection :  $\geq DC 2V, \leq 300V_{rms}$  Continuous.  $\leq DC 2V, \leq 150V_{rms}$  Continuous.  
 $\leq DC 20mA, \leq 150mA$  Continuous
- Linearity & Repeatability :  $\leq 0.1\%$  Typical.
- Alarm Setting : 2 Sets Alarm Joins. Hi or Lo (selectable).
- Setting Range : 0 ~ 9999 Counts (Programmable)
- Dead band : 0 ~ 9999 Counts (Programmable).
- Delay Time : 0 ~ 99 sec. ( Programmable).
- SPDT Capacity : SPST AC 120V 5A , 250V 2.5A, DC 24V 3A PF=1
- Stability :  $\leq 0.2\%$  /year
- Response Time :  $\leq 1$ Sec
- Ripple :  $\leq 0.1\%$  rms RO
- Temperature Coefficient :  $\leq 100ppm / ^\circ C$  From 0~60°C
- Operation Condition : -5°C ~ +85°C 20~95% RH Non-Condensed
- Storage Condition : -10°C ~ +105°C 20~95% RH Non-Condensed
- CE : EN 61000-6-4 , EN 61000-6-2 , EN 61000-3-2
- Power Fluctuation Rate : Power Can Stand AC 85~265V or DC 24V  $\pm 10\%$  , Aux. Power Effect :  $\leq 0.03\%$  / V
- Case Material : Non-Combustible PC Case. Qualified to UL 94 CLASS V-O
- Mounting : DIN Rail or Wall Mounting.
- Dimension : 27 W x 119 H x 70 L (including base)

## □ Connection Diagram :



All Specifications are subject to change without prior notice.