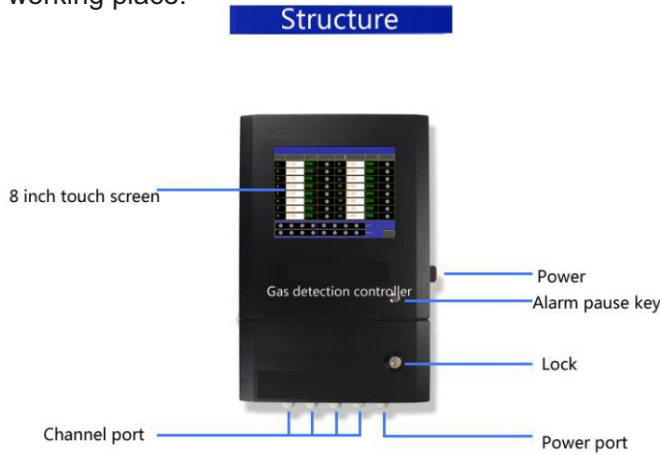


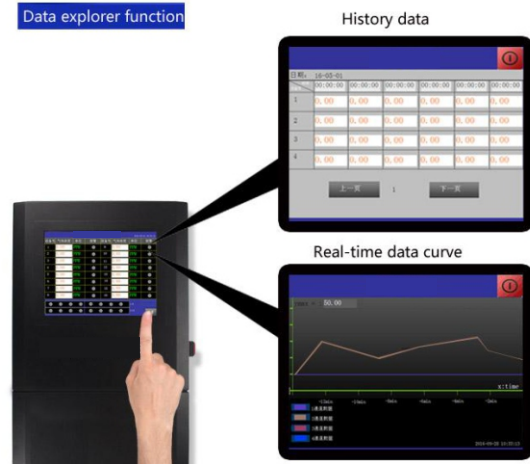
DESCRIPTION :

KM-GC-8000 gas detection controller with new design of Touch screen, simple operation. It could connect the OC-F08 gas detector to make up as the industrial gas detection system. It will display the all gas concentration for each gas detector, when the gas concentration level up to the preset data, the controller will alarm with acoustic and light signal. Synchronously, the actuator will begin to drive the exhaust or the cut off valve and other equipment, in order to prevent the poisoning accident, explosion or fire. The KM-GC-8000 Gas detection controller could guarantee the security of the industrial working place.

Structure



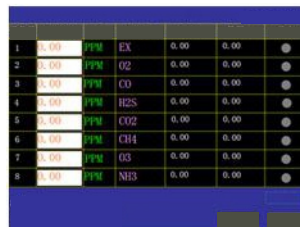
Data explorer function



Different channels display



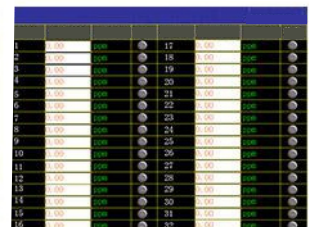
1~4 channels



5~8 channels

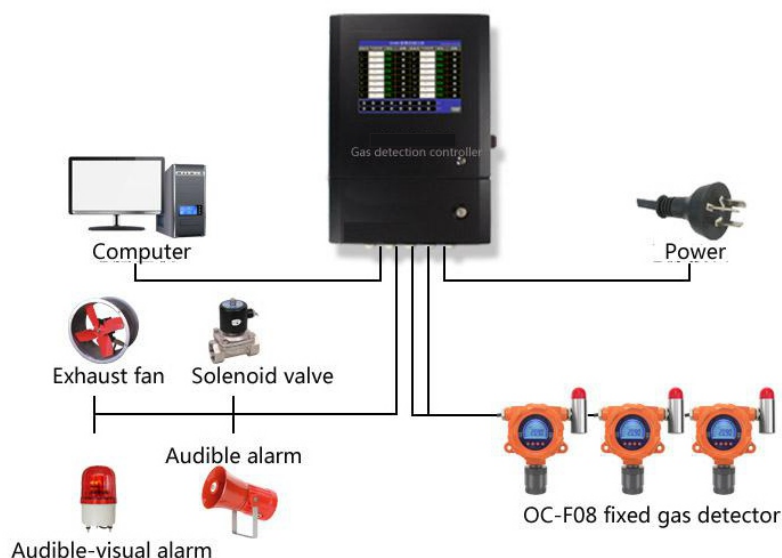


9~16 channels



17~32 channels

Gas detection control system



All Specifications are subject to change without prior notice

Multi ways of data transmission (Optional function)

Three mode : U disk, cable network, wireless network.



Dimension :



Technical Parameter:

Item	Description
Product name	Gas detection controller
Display	8 inch TFT LCD touch screen
Power supply	AC220V±15%, 50Hz±1%
Consumption	≤10W(according to different channels)
Output voltage	DC24V±15%
Input signal	RS-485
Relay output	4 relay output with optional NO or NC
Relay contact capacity	5A, 30VDC or 5A, 220VAC
Alarm mode	Audible, visual
Installation mode	Wall-mounted
Suitable gas detector	OC-F08 Fixed gas detector with RS485 signal output
Gas detector quantity	≤32pc
Communication distance	≤2000m
Working temperature	-10°C~+50°C
Working humidity	10~95%RH (Non-condensation)
Size	400mm*280mm*80mm
Weight	About 3.6kg
Protection grade	IP54
Quality standard	GB 16808-2008 GB 15326-1994
Certificate	CE, RoHS

Applications:

The KM-GC-8000 Gas detection controller used to connect with the fixed gas detector and the related equipment in industrial scene, such as petroleum refinery, chemical plants, LPG stations, boiler rooms, gas stations, paint spray booths, metallurgy, mining, fire, environmental protection, etc.

All Specifications are subject to change without prior notice



G-17, Bharat Industrial Estate, T. J. Road, Sewree (W), Mumbai - 400 015. INDIA.
Sales Direct.: 022-24156638, 27754546 **Tel. :**24124540, 24181649, 27750662, 27750292
Email : sales@kusam-meco.co.in **Website :** www.kusamelectrical.com