

MMWWH Watt Watthour Digital Meter



An ISO 9001:2008 Company

FEATURES

- Suitable for 1 ϕ 2W / 1 ϕ 3W / 3 ϕ 3W / 3 ϕ 4W system
- Size: 96 W x 48 H x 100 D (mm)
- 5 digits display for W -32768~32767
8 digits display for WH \pm 99999999 Count
- RS-485 Modbus RTU and DC 4~20mA output
- Dual pulse output(Secondary value)
- Bi-direction measurement and display



FUNCTION SELECTION

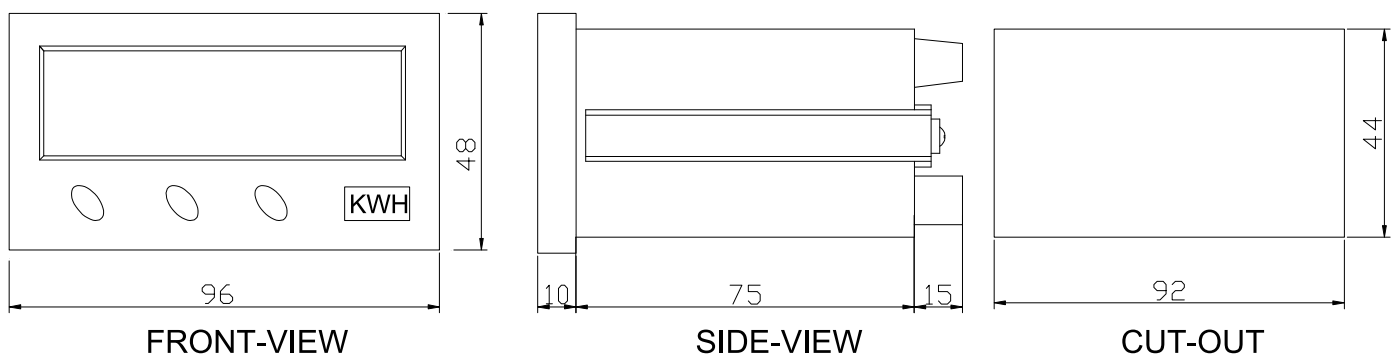
MMWWH - code1 code2 code3 code4 code5 code6

CODE 1 INPUT VOLTAGE		CODE 2 INPUT CURRENT		CODE 3 INPUT FREQUENCY		CODE 4 OUTPUT 1		CODE 5 OUTPUT 2		CODE 6 AUX. POWER	
1	55-440V(L-L)	1	1A	1	50 HZ	1	2 Pulse	1	RS-485 Modbus	3	DC 22~72V
		2	5A	2	60 HZ			2	DC 4-20mA	6	AC/DC85~265V
						0	None	3	RS485+DC4-20mA		
Y	Other	Y	Other	Y	Other	Y	Other	Y	Other	Y	Other

SPECIFICATIONS

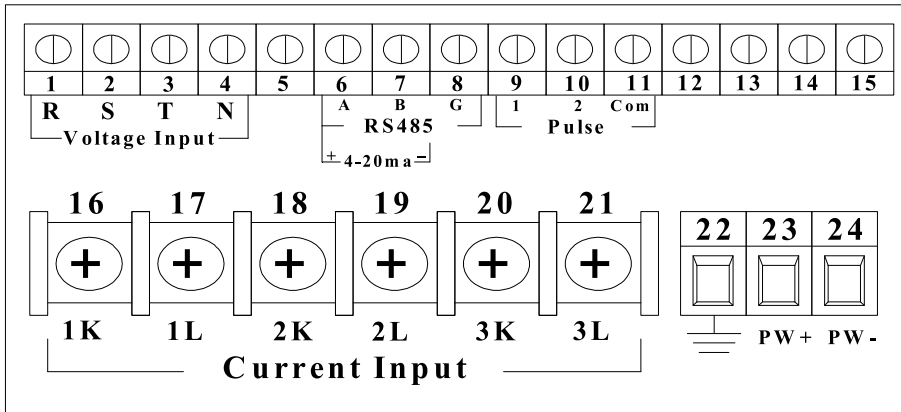
Accuracy	: $\pm 0.5\%$ RD at 23°C $\pm 3^\circ\text{C}$.	Address	: 1~255
Display Range	: 0.4" high brightness red LED 5 digit display for W -32768~32767 8 digits display for WH \pm 99999999	Pulse output	: Dual pulse output Corresponding to +WH / -WH 1WH 1/10/100/0.1/0.01Pulse
Input Range	: Input 55~440V(L-L) (Max: 500V L-L) Normal Current 5A, Effective Range 0~6A. Normal Current 1A, Effective Range 0~1.5A.	Output Function	: 4~20mA330 Ω at 20ma (Optional)
Input Frequency	: 45~70HZ	Dielectric Strength	: 2.0KV 50/60HZ AC / Min Between Input / Power / Case.
Input Over	: Normal AC 5A, Current Over 15A Continuous Normal AC 440V, Voltage Over 600V Continuous	Power Supply	: AC 85~265V 50 / 60Hz DC 100~300V
Digital Output Load	: RS-485 MODBUS RTU	Dimension	: 96 W X 48 H X 100 D mm.
Baudrate	: 2400.4800.9600.19200.38400.57600	Cut-out	: 92W x 44H < mm >
		Mounting	: Panel Flush Mounting
		Housing Material	: ABS Plastic, Self-Extinguishing
		Operating Condition	: -10°C~55°C 20 ~ 95% RH Non-Condensed.
		Storage Condition	: -40°C~75°C 20 ~ 95% RH Non-Condensed.

SIZE (mm)



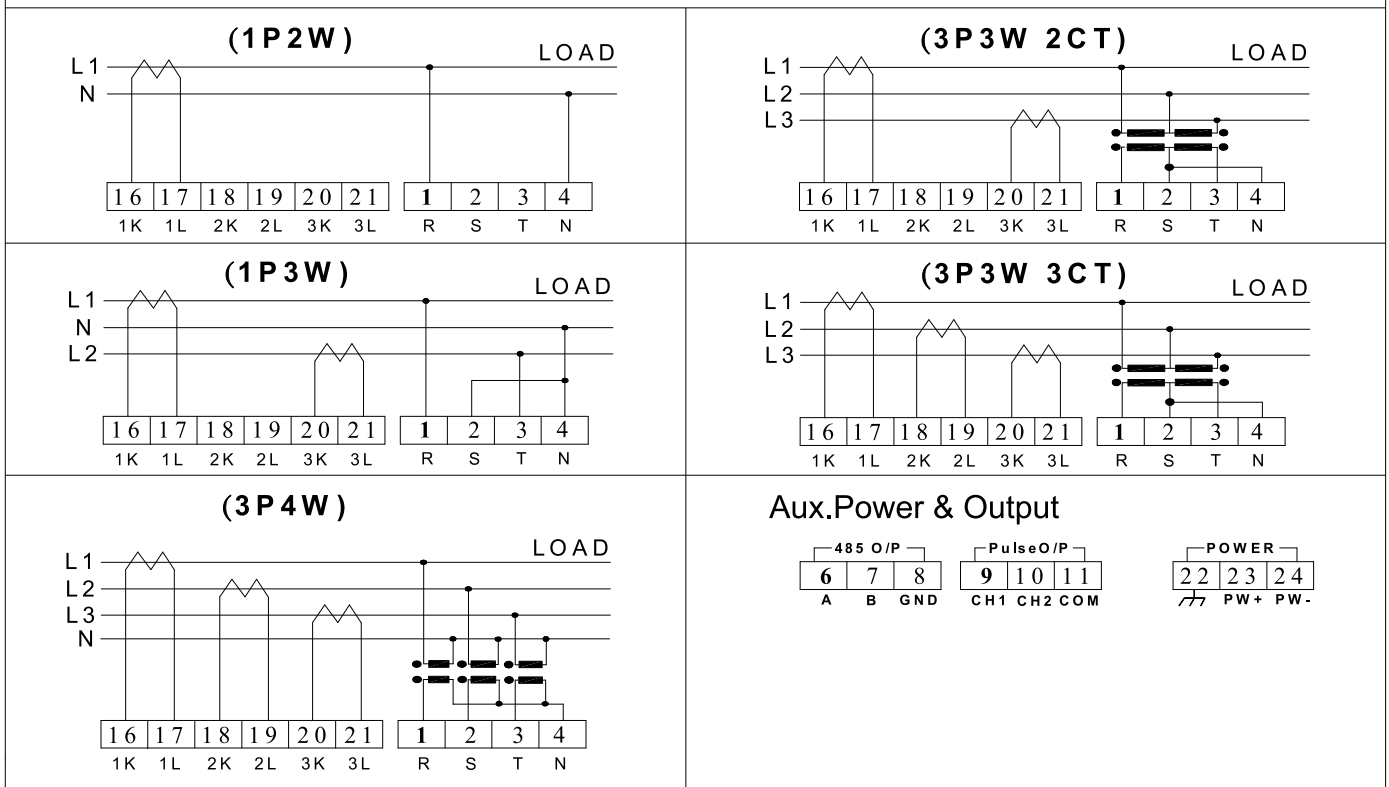
All Specifications are subject to change without prior notice.

TERMINALS



CONNECTION DIAGRAM

INPUT Voltage and Current



All Specifications are subject to change without prior notice.



G-17, Bharat Industrial Estate, T. J. Road, Sewree (W), Mumbai - 400 015. INDIA.
 Sales Direct.: 022-24156638, Tel. : 022-24124540, 24181649, Fax : 022-24149659
 Email : kusam_meco@vsnl.net, Website : www.kusamelectrical.com