

Microprocessor Power Factor Digital Meter

FEATURES:

- Output/Display Range User Selectable
- Dual Aux. Power 110/220V AC
- Wide Input Range
Normal Voltage 110V or 220V, Effective Range 55~440V(L-L)
Normal Current 5A, Effective Range 0 ~ 7.5A.
- Analog or Digital RS-485 Output



Circuit		Input Voltage		Input Current		Frequency		Output		Aux. Power	
A	1 § 2W	A	55-440V(L-L)	A	1A	A	50Hz	A	DC 0~10mA	A	AC 110/220V
B	3 § 3W			B	5A	B	60Hz	B	DC 0~20mA	C	DC 22~72V
C	3 § 4W							C	DC 4~20mA	F	AC/DC85-265V
								D	DC 0~5V		
								E	DC 1~5V		
								F	RS-485		
								G	DC 0~10V		
Y	Other	Y	Other	Y	Other			N	None	Y	Other
								Y	Other		

SPECIFICATIONS:

INPUT:

Input Range : Input 55~440V(L-L) (Max: 480V L-L)
 Normal Current 5A, Effective Range 0 ~ 7.5A. Normal Current 1A, Effective Range 0 ~ 1.5A.

Input Burden : Voltage 0.25VA/Unit, Current 0.25VA/Unit, at 60Hz.

Input Frequency : 50Hz ± 5Hz, 60Hz ± 5Hz.

Input Over : Normal AC 5A, Current Over 15A Continuous : 50A 10 Sec/Hour : 400A 0.5 Sec/Hour.
 Normal AC 110V, Voltage Over 500V Continuous : 1200V 10Sec/Hour.

OUTPUT & DISPLAY:

DC Current: 0 – 20 mA DC
 Load resistance drive: output drive 10 VDC maximum

DC Voltage: 0 – 10 V DC
 Load resistance drive: output drive 5 mA maximum

Output	Load Resistance	Output	Load Resistance
0 – 10 mA	1000 Ω	0 – 5 V	1 KΩ
0 – 20 mA	500 Ω	1 – 5 V	1 KΩ
4 – 20 mA	500 Ω	0 – 10 V	2 KΩ

Output Response Time : ≤1 Sec.

Output Protection : Without Damage for Output Open or Short Circuit.

Digital Output Load : RS-485 Output, 1200,2400,4800,9600,19200 Baud Rate, User Selectable.

Display Range : 0.56" Super Rate LED 3-1/2, 4 Digits, -0.500(C) ~ 1.000 ~ +0.500(L) COS θ

INSTALLATION & PERFORMANCE:

Accuracy : ±0.5% RD at 23°C±3°C.

Dielectric Strength : 2.6KV AC / Min between Input / Power / Case.

Impulse : 4 KV 1.2x50 uS, ANSI C37.90a / 1983.DIN IEC 255 – 4.

Stability : ≤0.2%/Year.

Temperature Coefficient : ≤100ppm / °C From 0 ~ 60°C.

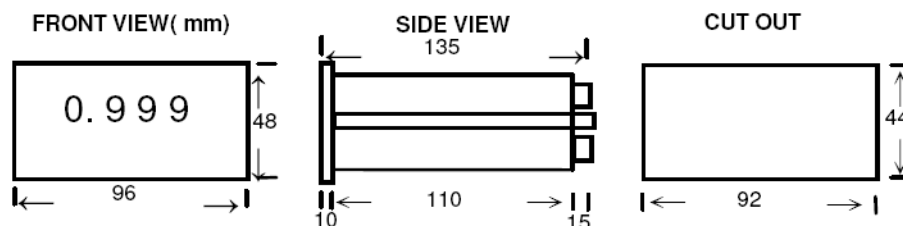
Operating Condition : -10°C ~ +55°C 20 ~ 95% RH Non-Condensed.

Storage Condition : -40°C ~ +75°C 20 ~ 95% RH Non-Condensed.

Power Supply : AC or DC ±20%, 50 / 60Hz.

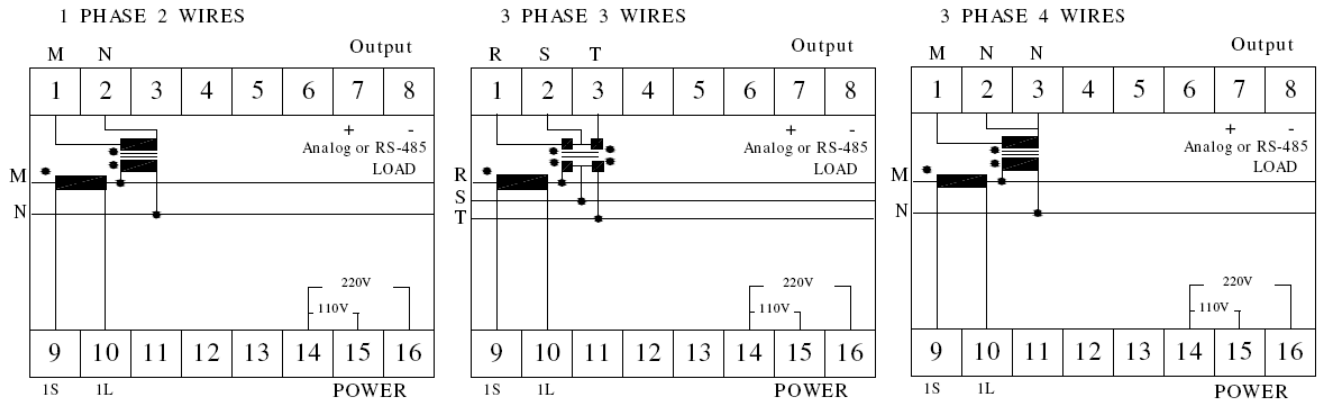
Outline Dimension : 1/8 DIN 96W X 48H X 135D mm.

Mounting : Panel Flush Mounting.



All Specifications are subject to change without prior notice.

Terminal Connection:



DC or AC/DC , 15+ ; 16-

All Specifications are subject to change without prior notice.



G-17, Bharat Industrial Estate, T. J. Road, Sewree (W), Mumbai - 400 015. INDIA.
Sales Direct.: 022-24156638, **Tel. :** 022-24124540, 24181649, **Fax :** 022-24149659
Email : kusam_meco@vsnl.net, **Website :** www.kusamelectrical.com