

# DM3S 3 Channel Current Loop DC Rated Digital Meter



An ISO 9001:2008 Company

## ■ FEATURES

- Display values of 3 channel simultaneously
- 4 Alarm setting functions
- Programmable display range for 3 channel respectively
- Self-testing function with easy operation
- RS-485MODBUS RTU with Max.baudrate 38400



DM3S [ ] - [ ] - [ ] - [ ] - [ ]

Code1	Input Signal	Code2	Alarm Setting	Code3	Output 1	Code4	Output 2	Code5	Aux. Power
1	DC 4~20mA 2Wire EXT: DC 24V	1	3 Alarm Setting	1	DC 0~10mA	6	RS 485	3	DC 22~72V
		2	4 Alarm Setting	2	DC 0~20mA	0	None	6	AC/DC 85~265V
		0	None	3	DC 4~20mA	Y	Other	Y	Other
				4	DC 0~5V				
				5	DC 1~5V				
				6	DC 0~10V				
				0	None				
				Y	Other				

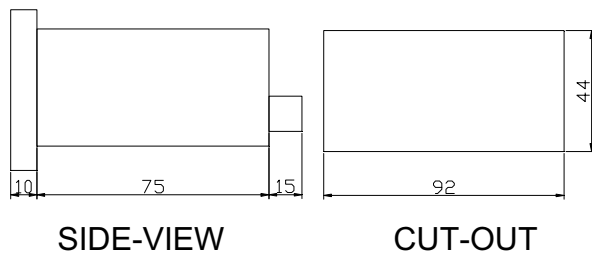
## Specifications :

Accuracy	: $\pm 0.5\%FS + 2$ Counts at $23^{\circ}C \pm 3^{\circ}C$ .
Display Range	: 0.39" high brightness LED 4 digits = 9999Counts.(Programmable)
Input Impedance	: Voltage input $\geq 1$ M $\Omega$ , Current input $\leq 50\Omega$ .
Response Time	: $\leq 1$ sec.
Analog Output	: Current output : $> 500\Omega$ at 20mA, Voltage output : 10mA Maximum.
Digital Output	: RS-485 Mode,Baudrate 1200,2400,4800,9600,19200 Baud Rate (Selectable)
Output Protection	: Protection For Open Circuit ,Short Circuit,Surge, EMI,and RFI.
Relay Setting	: 3 Units Alarm Setting.HI-LO (Selectable).
Setting Range	: 0 ~ 9999 Counts (Programmable).
Dead Band	: 0 ~ 9999 Counts (Programmable)
Delay Time	: 0 ~ 99 Sec. (Programmable).
SPDT Capacity	: 1C , 250V 5A, DC 24V 5A.
Dielectric Strength	: AC 2KV / Min, Between Input /Power /Case, DIN IEC 688.
Impulse	: 5 KV 1.2x50 uS, ANSI C37.90a / 1983.DIN IEC 255 - 4.
Temperature Coefficient	: $\leq 60$ ppm / $^{\circ}C$ From 0 ~ $60^{\circ}C$ ; $\leq 50$ ppm/ $25^{\circ}C \pm 5^{\circ}C$ .
Stability	: $\leq 0.2\%$ / Year.
Operating Condition	: $-10^{\circ}C \sim +55^{\circ}C$ 20 ~ 95% RH Non-Condensed.
Storage Condition	: $-40^{\circ}C \sim +75^{\circ}C$ 20 ~ 95% RH Non-Condensed.

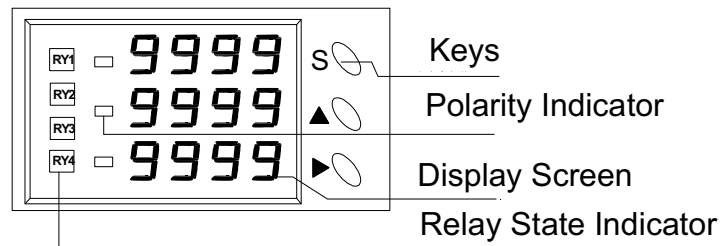
Power Supply	: Power can stand AC $\pm 20\%$ , AC/DC 85~265V
Outline Dimension	: 96W * 48H * 100L mm.
Cut Out	: 92W * 44H mm..
CE Certificate	: EN 61000-6-4 , EN 61326-1 , EN 61000-3-2
Case Material	: Non-Combustion of ABS Type -According as UL94 Class V-O
Mounting	: Panel Flush Mounting.

All Specifications are subject to change without prior notice.

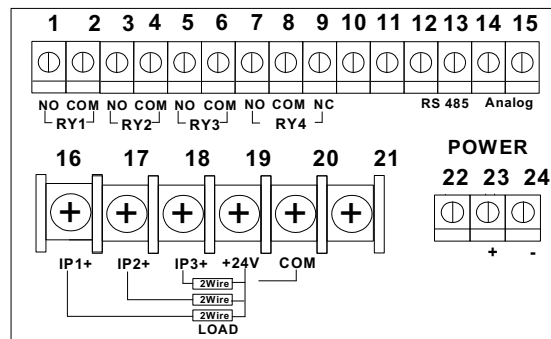
## ■ Size (mm)



## ■ Keys



## ■ Connection Diagram



All Specifications are subject to change without prior notice.

**KUSAM-MECO**<sup>®</sup>  
An ISO 9001:2008 Company

G-17, Bharat Industrial Estate, T. J. Road, Sewree (W), Mumbai - 400 015. INDIA.  
Sales Direct.: 022-24156638, Tel. : 022-24124540, 24181649, Fax : 022-24149659  
Email : kusam\_meco@vsnl.net, Website : www.kusamelectrical.com