

### FEATURES :

- **Display :** Power Factor  
Line Voltage Input  
Load Current
- **Precise compensation of Reactive Power with automatic calculation of C / K..**
- **KVAR based Power Factor Controller**
- **User friendly menu for simple setting of various Parameters.**
- **High sensitivity, operates even at 50 mA current signal.**
- **Over Voltage & Low Voltage protection.**
- **Automatic & Manual operation**
- **Stores setting Data even if there is a power failure.**
- **Standard DIN Size 144 mm x 144 mm for easy installation in control panels.**

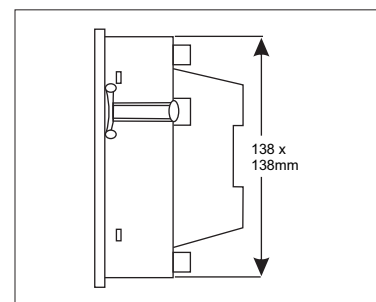
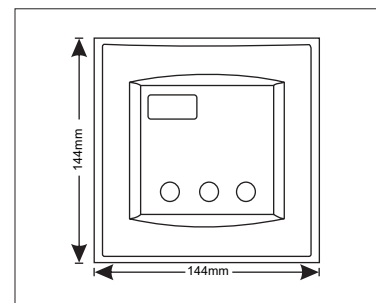
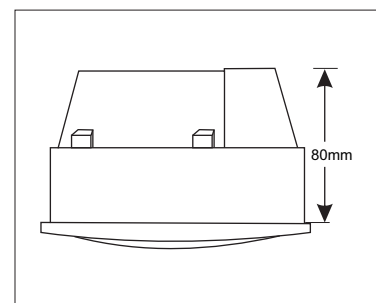
Model- KM-PFR-S-04  
KM-PFR-S-08



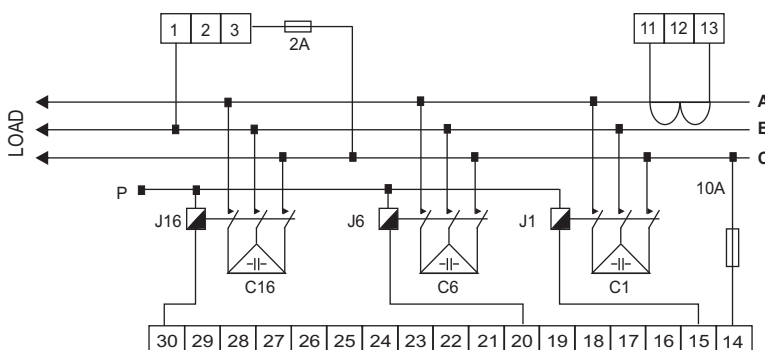
### TECHNICAL DATA :

- **Rated Voltage :** AC 440 V 50Hz / 60Hz ( L-L).
- **Rated Current :** AC 50 mA ~ 5A 50Hz / 60Hz
- **Output Relay Rating :** AC 220 V ; 8 A ; 50 Hz
- **Display Power Factor :** Lag 0.001 ~ Lead 0.001
- **Measure Power :** 0 - 9999 KVAR
- **Low-Voltage Protection :** 300 V ( L - L )
- **Ambient Temperature :** 20°C ~ 50° C
- **Protection Class :** Ip40
- **Model :** KM-PFR-S-04 : 4 step  
KM-PFR-S-08 : 8 steps  
KM-PFR-S-12 : 12 steps

### DIMENSION



### CONNECTION DIAGRAM :



All Specifications are subject to change without prior notice