

MMT Thermocouple Temperature Digital Meter

KUSAM-MECO®

An ISO 9001:2008 Company



FEATURES

- Selectable input type: K-E-J-T-R-S
- Malfunction Indicator
- Switch between °C / °F
- Display Max. Temperature
- Output protection: No output for wrong temperature.
- Output 0-20/4-20 or 0-5V/0-10V/1-5V
- RS 485 MODBUS RTU
- 2 or 4 Alarm Setting Function
- Small Size (Depth < 90mm)

MMT

Code 1 - Code 2 - Code 3 - Code 4 - Code 5

Code 1	Input Signal	Code 2	Alarm Setting	Code 3	Output 1	Code 4	Output 2	Code 5	Aux. Power
K	K Type -270~1370°C/-520~2500°F	2	2 Alarm Setting	1	DC 0~10mA	6	RS 485	1	AC 110/220V
E	E Type -270~800°C/-520~1500°F	4	4 Alarm Setting	2	DC 0~20mA	0	None	2	AC 220V
J	J Type -210~760°C/-410~1300°F	0	None	3	DC 4~20mA	Y	Other	3	DC 22~72V
T	T Type -210~400°C/-410~760°F			4	DC 0~5V			6	AC/DC85~265V
R	R Type 0~1700°C/32~3100°F			5	DC 1~5V			Y	Other
S	S Type 0~1700°C/-32~3100°F			6	DC 0~10V				
				0	None				
				Y	Other				

SPECIFICATIONS:

INPUT:

Input Resistance : $\geq 20M\Omega$.

OUTPUT & DISPLAY:

DC Current: 0 – 20 mA DC

Load resistance drive: output drive 10 VDC maximum

Output	Load Resistance
0 – 10 mA :	1000 Ω
0 – 20 mA :	500 Ω
4 – 20 mA :	500 Ω

DC Voltage: 0 – 10 V DC

Load resistance drive: output drive 5 mA maximum

Output	Load Resistance
0 – 5 V :	1 K Ω
1 – 5 V :	1 K Ω
0 – 10 V :	2 K Ω

Output Response Time : ≤ 1 Sec.

Digital Output Load : RS-485 Output, 1200,2400,4800,9600,19200 Baud Rate, User Selectable.

Display Range : 0.56" High Brightness RED LED , 5 Digits, -19999 ~ 99999 Counts , Resolution 0.1°C or °F.

INSTALLATION & PERFORMANCE:

Accuracy : 0.2%FS + 0.3°C at 23°C \pm 3°C.

Break Detection : 19999 Flash.

CJC : $\leq 0.03^\circ\text{C}/^\circ\text{C}$, Within 0 ~ 40°C.

Setting Function : 4 Alarm Setting Setting Function(Hi or Lo) User Selectable

Setting Range : ± 19999 Counts User Selectable.

Dead Band : 0 ~ 9999 Counts User Selectable.

Time Delay : 0 ~ 999 Sec. User Selectable.

SPDT Capacity : AC 120V 5A, 250V 3A, DC 24V 3A.

Dielectric Strength : 2KV AC / Min Between Input / Power / Case.

Impulse : 5 KV 1.2x50 uS, ANSI C37.90a / 1983.DIN IEC 255 — 4

Stability : $\leq 0.2\%$ /Year.

Temperature Coefficient : $\leq 60\text{ppm}/^\circ\text{C}$ From 0 ~ 60°C ; $\leq 50\text{ppm}/25^\circ\text{C} \pm 5^\circ\text{C}$.

Operating Condition : -10°C ~ +55°C 20 ~ 95% RH Non-Condensed.

Storage Condition : -40°C ~ +75°C 20 ~ 95% RH Non-Condensed.

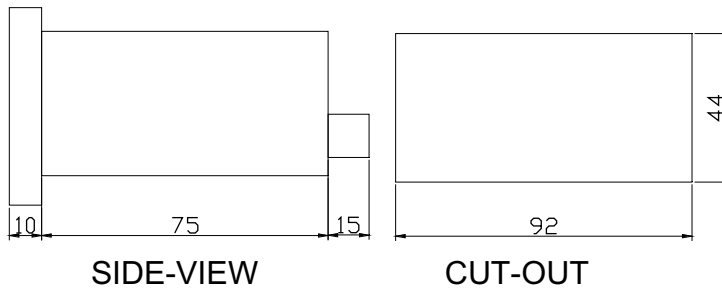
Power Supply : AC or DC $\pm 20\%$, 50 / 60Hz.

Outline Dimension : 1/8 DIN 96W X 48H X 110 D mm.

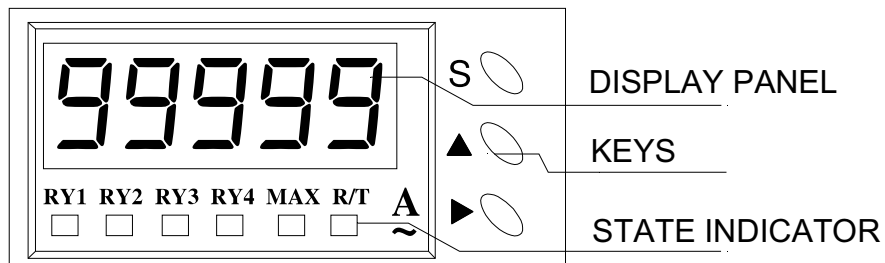
Mounting : Panel Flush Mounting.

All Specifications are subject to change without prior notice.

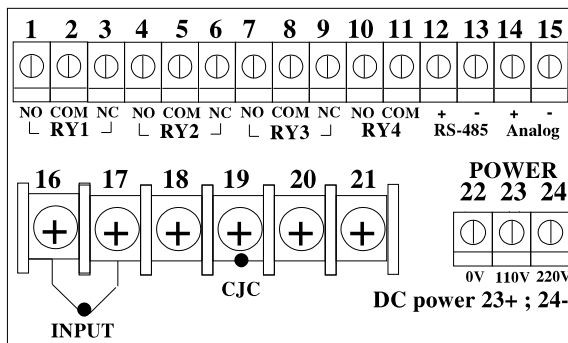
■ Dimension (mm)



■ Panel Keys



■ Connection Diagram



All Specifications are subject to change without prior notice.

KUSAM-MECO[®]
An ISO 9001:2008 Company

G-17, Bharat Industrial Estate, T. J. Road, Sewree (W), Mumbai - 400 015. INDIA.
Sales Direct.: 022-24156638, **Tel. :** 022-24124540, 24181649, **Fax :** 022-24149659
Email : kusam_meco@vsnl.net, **Website :** www.kusamelectrical.com