

MMR RTD Temperature Digital Meter

KUSAM-MECO®

An ISO 9001:2008 Company



■ FEATURES

- Malfunction Indicator
- Protection to prevent high mA output.
- Output 0-20/4-20 or 0-5V/0-10V1-5V
- Display Max. Temperature.
- Switch °C / °F
- RS 485 MODBUS RTU
- 2 or 4 Alarm Setting Function
- Small Size (Depth< 90mm)

MMR Code1 - Code2 - Code3 - Code4 - Code5

Code 1	Input Signal	Code 2	Alarm Setting	Code 3	Output 1	Code 4	Output 2	Code 5	Aux. Power
1	PT100Ω -100~400°C / -150~800°F	2	2 Alarm Setting	1	DC 0~10mA	6	RS 485	1	AC 110/220V
2	CU10Ω -100~400°C / -150~800°F	4	4 Alarm Setting	2	DC 0~20mA	0	None	2	AC 220V
3	PT500Ω -100~400°C / -150~800°F	0	None	3	DC 4~20mA	Y	Other	3	DC 22~72V
4	NI1000 -100~400°C / -150~800°F			4	DC 0~5V			6	AC/DC85~265V
Y	Other			5	DC 1~5V			Y	Other
				6	DC 0~10V				
				0	None				
				Y	Other				

SPECIFICATIONS

INPUT:

Input Configuration : Three Wires Connection Compatible with Two Wires.

OUTPUT & DISPLAY:

DC Current: 0 – 20 mA DC

DC Voltage: 0 – 10 V DC

Load resistance drive: output drive 10 VDC maximum

Load resistance drive: output drive 5 mA maximum

Output	Load Resistance
0 – 10 mA :	1000 Ω
0 – 20 mA :	500 Ω
4 – 20 mA :	500 Ω

Output	Load Resistance
0 – 5 V :	1 KΩ
1 – 5 V :	1 KΩ
0 – 10 V :	2 KΩ

Output Response Time : ≤1 Sec.

Digital Output Load : RS-485 Output, 1200,2400,4800,9600,19200 Baud Rate, User Selectable.

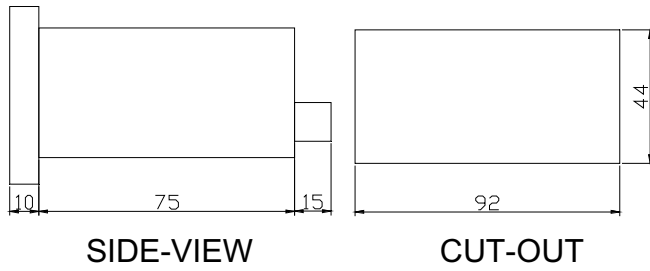
Display Range : 0.56" High Brightness RED LED , 5 Digits, -19999 ~ 99999 Counts , Resolution 0.1°C.or °F

INSTALLATION & PERFORMANCE:

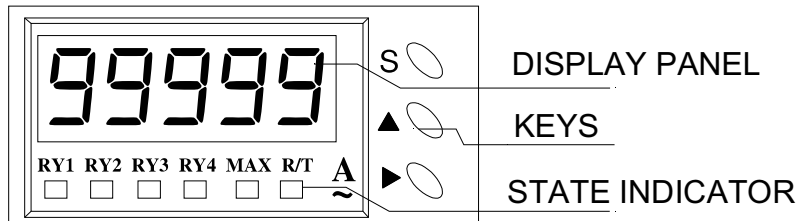
- Accuracy : 0.15%FS + 0.3°C at 23°C±3°C.
- Setting Function : 4 Alarm Setting Setting Function(Hi or Lo) User Selectable.
- Setting Range : ±19999 Counts User Selectable.
- Dead Band : 0 ~ 9999 Counts User Selectable.
- Time Delay : 0 ~ 999 Sec. User Selectable.
- SPDT Capacity : AC 120V 5A, 250V 3A, DC 24V 3A.
- Dielectric Strength : 2KV AC / Min Between Input / Power / Case.
- Impulse : 5 KV 1.2x50 uS, ANSI C37.90a / 1983.DIN IEC 255 – 4.
- Stability : ≤0.2%/Year.
- Temperature Coefficient : ≤60ppm / °C From 0 ~ 60°C ; ≤50ppm/25°C ±5°C.
- Operating Condition : -10°C ~ +55°C 20 ~ 95% RH Non-Condensed.
- Storage Condition : -40°C ~ +75°C 20 ~ 95% RH Non-Condensed.
- Power Supply : AC or DC ±20%, 50 / 60Hz.
- Consumed Power : ≤3VA , PF = 1
- Outline Dimension : 1/8 DIN 96W X 48H X 100D mm.
- Mounting : Panel Flush Mounting.

All Specifications are subject to change without prior notice.

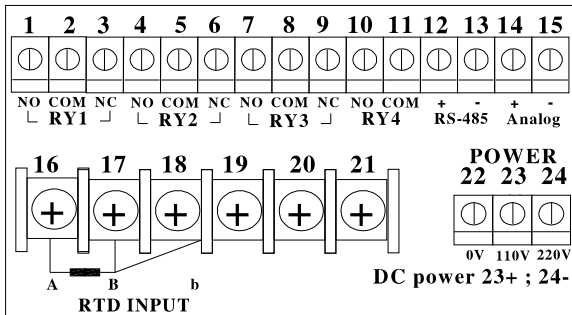
■ Dimension (mm)



■ Panel Keys



■ Connection Diagram



All Specifications are subject to change without prior notice.

KUSAM-MECO[®]
An ISO 9001:2008 Company

G-17, Bharat Industrial Estate, T. J. Road, Sewree (W), Mumbai - 400 015. INDIA.
Sales Direct.: 022-24156638, Tel. : 022-24124540, 24181649, Fax : 022-24149659
Email : kusam_meco@vsnl.net, Website : www.kusamelectrical.com