

DMDPW DC MULTIFUNCTION POWER METER

KUSAM-MECO®

■ FEATURES

- Comply to DIN-IEC 688
- Display for: DC V, A, W, WH
- Pulse output: 1 Count / 1~100 Pulse (Programmable)
- Permanent power-off memory for Watthour.
- 10 digit display
- Relays are controlled independently
- RS-485MODBUS RTU



■ Model:

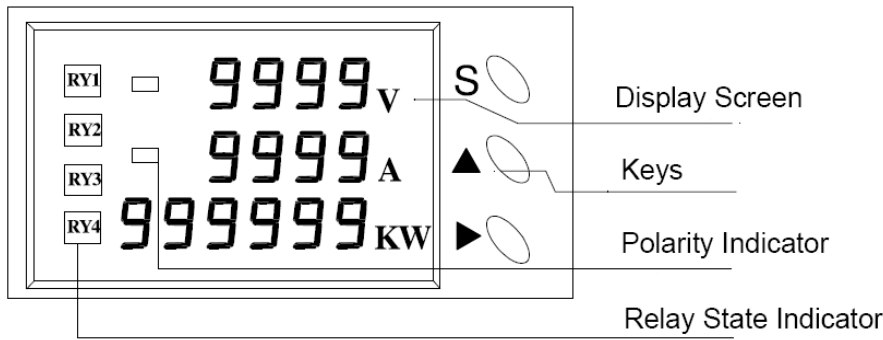
DMDPW - [CODE 1] - [CODE 2] - [CODE 3] - [CODE 4] - [CODE 5] - [CODE 6]

1	Input Voltage	2	Input Current	3	Alarm Setting	4	Output 1	5	Output 2	6	Aux. Power
1	DC0~50V	1	DC 0~5A	1	3Alarm Setting	1	RS-485	1	DC4~20mA	1	AC 110/220V
2	DC0~300V	2	DC 0~1A	2	4Alarm Setting	2	Pulse	2	DC0~20mA	2	AC 220V
3	DC0~600V	3	DC 0~10A	0	None	3	RS-485+Pulse	3	DC 0~5V	3	DC 22~72V
Y	Other	4	DC 0~20A	Y	Other	0	None	4	DC 0~10V	4	AC/DC85~265V
		5	ShuntX/50mV			Y	Other	Corresponds to V, A or W. (programmable)		Y	Other
		6	ShuntX/60mV					0	None		
		Y	Other					Y	Other		

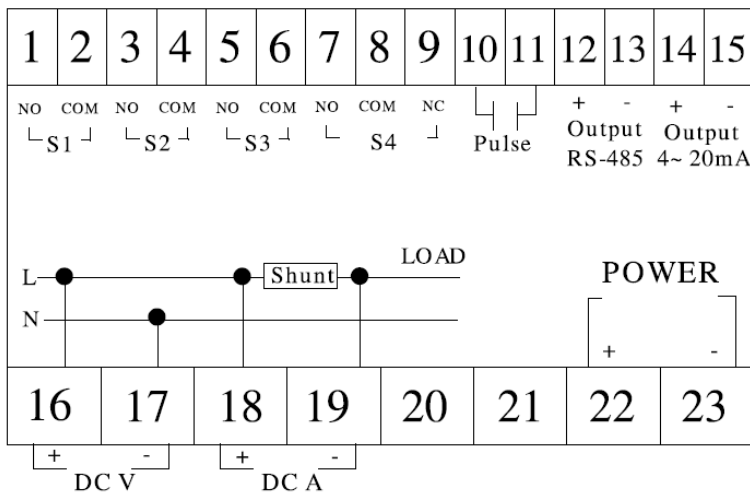
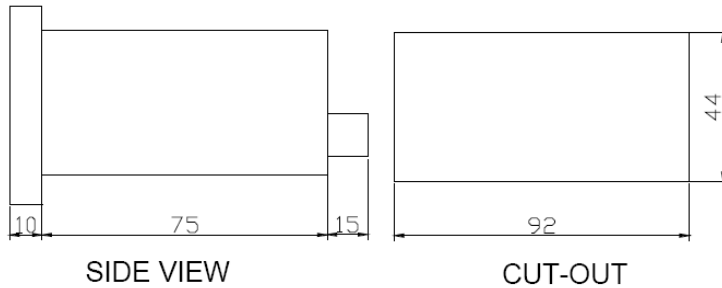
Accuracy	: $\pm 0.5\% \text{FS} + 2 \text{ Counts at } 23^\circ\text{C} \pm 3^\circ\text{C}.$
Display	: 0.39" High Brightness Red LED 3 Lines Display. 10-Digit Display For Watthour..
Response Time	: $\leq 1 \text{ Sec}.$
Input Over Current	: Normal AC 5A, Over Current 15A Continuous.
Input Over Voltage	: Normal DC 110V, Over Voltage 500V Continuous ; 1200V 10Sec/Hour
Digital Output	: RS-485 Modbus RTU, Baud Rate 1200,2400,4800,9600,19200 (Selectable).
Output Protection	: Protection for open or short circuit. Resists Surge, EMI, RFI.
Input Range	: Normal Voltage Effective Range $\pm 10\%$. Normal Current 5A, Effective 0~7.5A. Normal Current 1A, Effective Range 0~1.5A.
Pulse Output	: Pulse output for Watthour.
Setting Range	: 0 ~ 9999 Counts (Programmable)
Non-action Range	: 0 ~ 9999 Counts (Programmable)
Dielectric Strength	: AC 2KV / Min, between Input/Power/Case, DIN IEC 688.
Surge	: 5 KV 1.2x50 uS, ANSI C37.90a / 1983.DIN IEC 255 - 4.
Temp. Coefficient	: $\leq 60 \text{ppm} / ^\circ\text{C}$ From 0 ~ 60°C ; $\leq 50 \text{ppm} / 25^\circ\text{C} \pm 5^\circ\text{C}.$
Stability	: $\leq 0.2\% / \text{year}.$
Operating Condition	: -10°C ~ +55°C 20 ~ 95% RH Non-Condensed
Storage Condition	: -40°C ~ +75°C 20 ~ 95% RH Non-Condensed
Power Supply	: Power Withstands AC $\pm 10\%$, AC/DC 85~265 V
Mounting	: Panel Flush Mounting
Outline	: 96W * 48H * 100L mm.
Cut Out	: 92W * 44H mm.

All Specifications are subject to change without prior notice.

■ Panel and Keys



■ Dimension and Connection Diagram (mm)



All Specifications are subject to change without prior notice.

KUSAM-MECO[®]
An ISO 9001:2008 Company

G-17, Bharat Industrial Estate, T. J. Road, Sewree (W), Mumbai - 400 015. INDIA.
Sales Direct.: 022-24156638, **Tel. :** 022-24124540, 24181649, **Fax :** 022-24149659
Email : kusam_meco@vsnl.net, **Website :** www.kusamelectrical.com